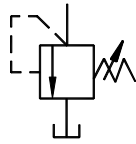


Direct Operated Pressure Relief Valve

These valves are used in a hydraulic circuit to prevent damage due to excess pressure and to adjust the max. Pressure of small capacity. Available sizes NG6 & NG10.

Graphic Symbol



Specifications

Model Number	Max. Operating Pressure Kgf/cm ²	Pres. Adj. Range Kgf/cm ²	Max. Flow L/min.	Mass Kg.
YCB-06	400	See Model No. Designation	50	1.5
YCB-10			120	3.25

Model Number Designation

YCB	-06	-A	-G	-2	-20
Series Number	Valve Size	Max Adj. Pres. [#] Kgf/cm ²	Type of Mounting	Type of Operation	Design [*] Number
YCB: Cartridge type Relief Valve	06 10	A0 : 25 A : 50 B : 100 C : 200 D : 315 E : 400	None: Cartridge Type G: Sub Plate Type T: Threaded Type	1 : Adj. Screw 2 : Hand Knob	20

* Design numbers subjected to change, but installation dimensions remains as shown.

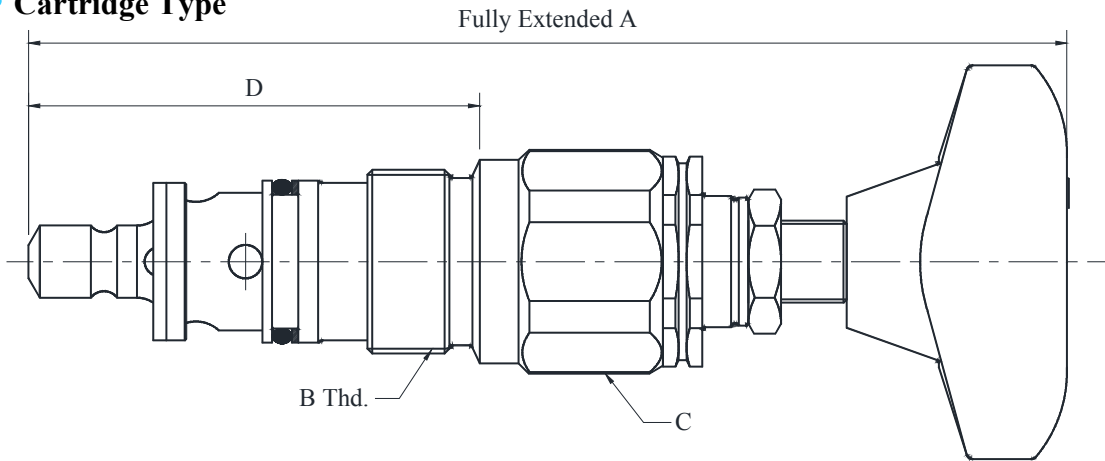
Ref. the minimum adjusting pressure characteristics on Page 4.

Mounting Bolts

Model Numbers	Socket Head Cap Screw	Qty.	Mounting Bolt Ordering Code
YCB-06-※-G-20	M6 x 35 Lg.	4	BKYCB-06-20
YCB-10-※-G-※-20	M8 x 50 Lg.	4	BKYCB-10-20

Mounting Details

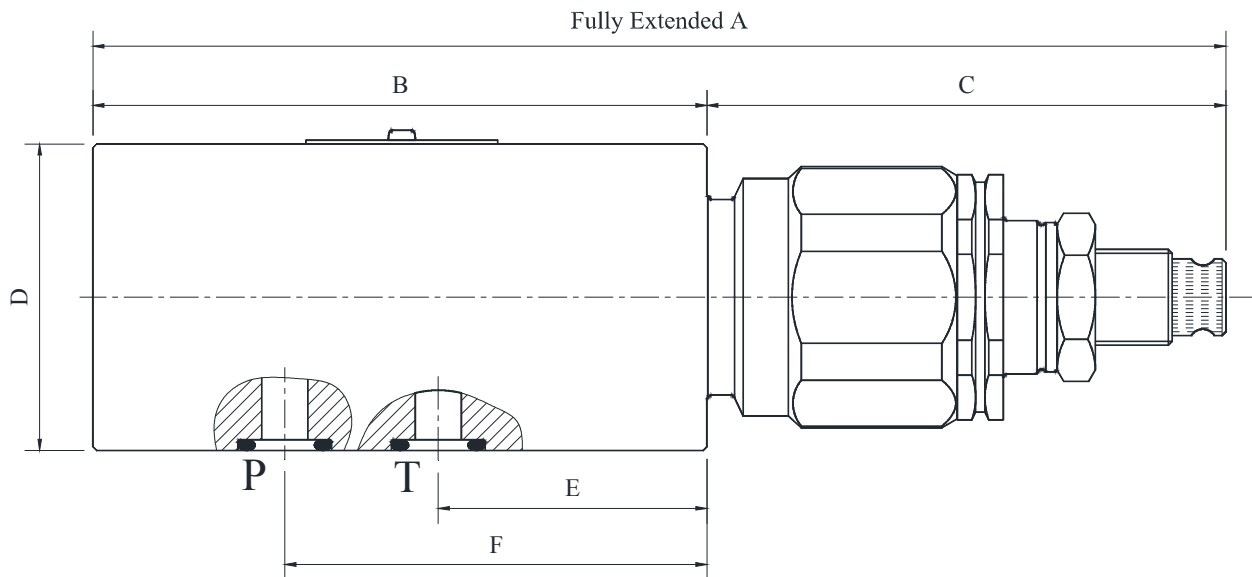
• **Cartridge Type**



Model Numbers	A	B	C	D	Cavity Details
YCB-06-※-1-20	132	M28 x 1.5	A/F 32	69	Refer Page No. 3/5
YCB-06-※-2-20	158				
YCB-10-※-1-20	142	M35 x 1.5	A/F 36	82.5	
YCB-10-※-2-20	169				

DIMENSIONS IN MILLIMETRES

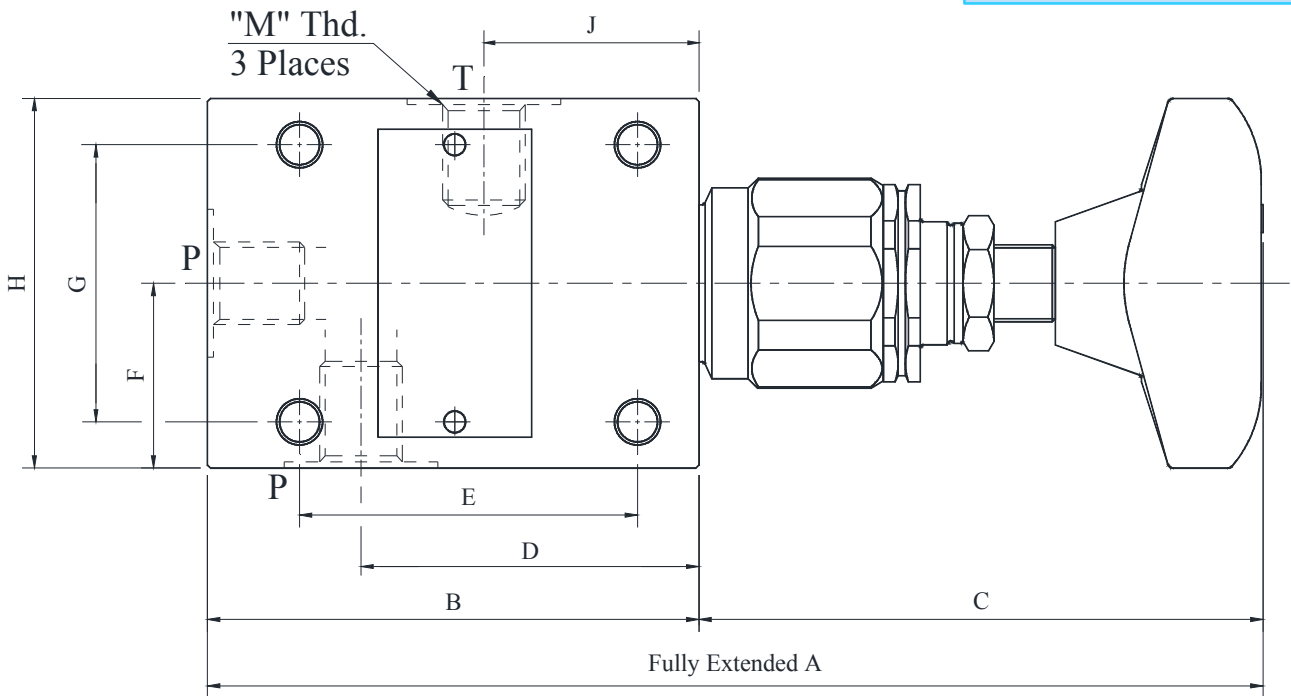
• **Sub-plate Type.**



Model Numbers	A	B	C	D	E	F
YCB-06	147.6	80	67.6	40	35	55
YCB-10	164	100	90.3	60	41	65

• Threaded Type

DIMENSIONS IN MILLIMETRES



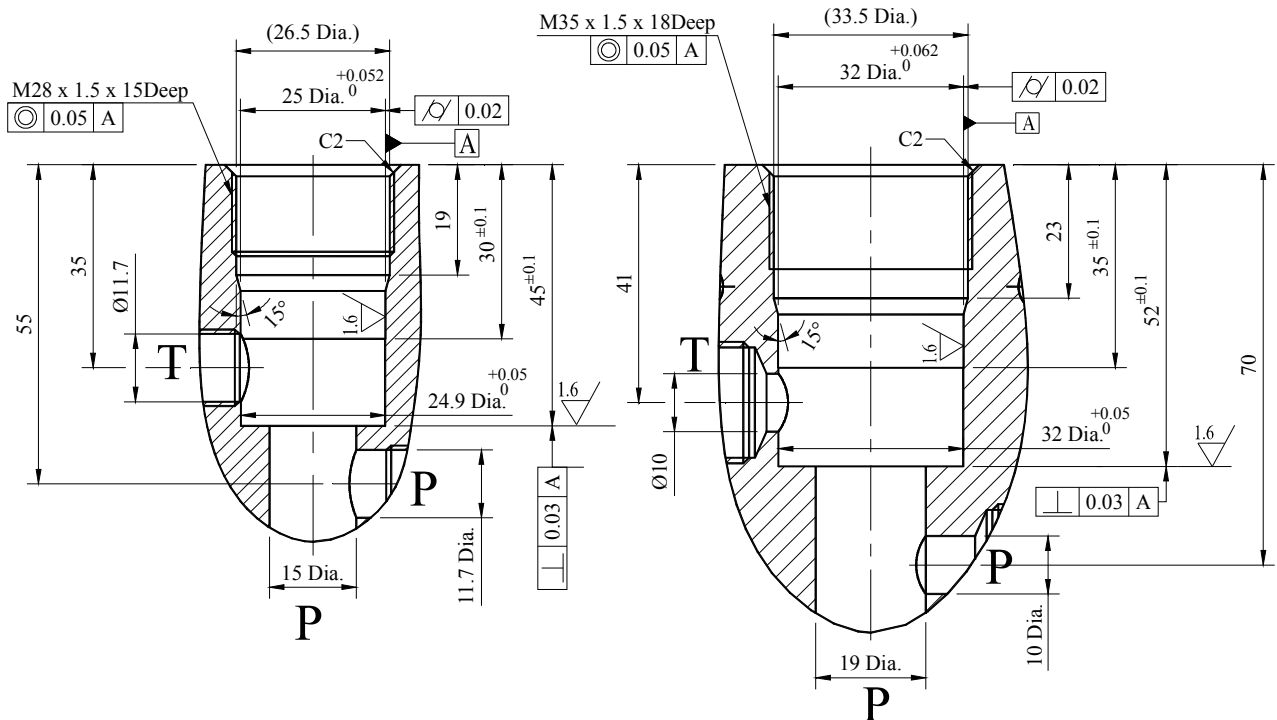
Note : Two optional 'P' ports at 90° to each other are provided. Block the one not in use.

Model Numbers	A	B	C	D	E	F	G	H	J	M
YCB-06	174	80	94	55	55	30	45	60	35	1/4 BSP.F
YCB-10	168.5	100	68.5	69	70	40	60	80	41	1/2 BSP.F

■ Mounting Cavity Dimensions

• YCB-06

• YCB-10

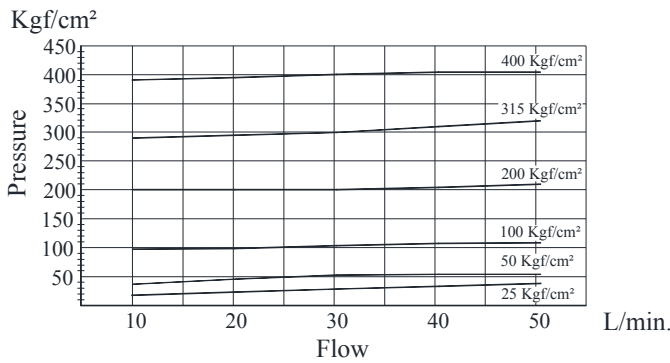


Note : Two optional 'P' ports at 90° to each other are provided. Block the one not in use.

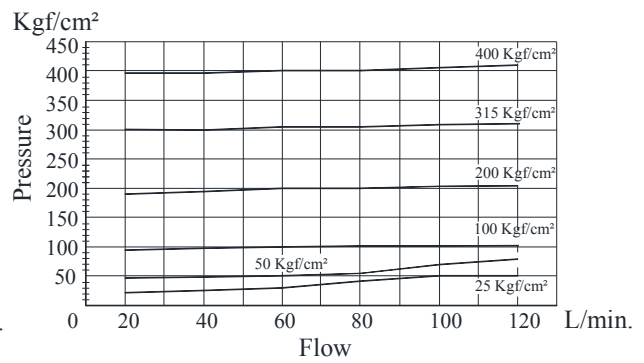
Direct Operated Pressure Relief Valve

Nominal Override Characteristics

● **YCB-06**

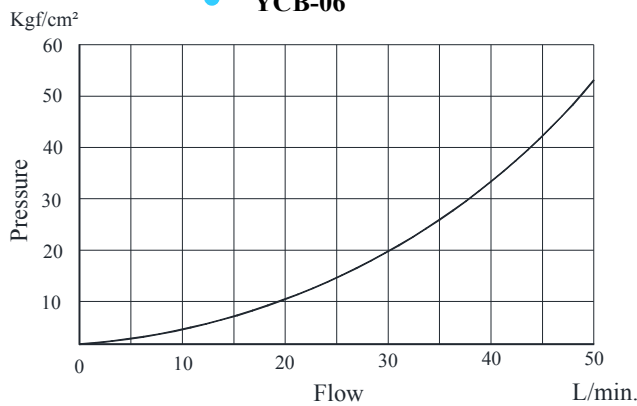


● **YCB-10**

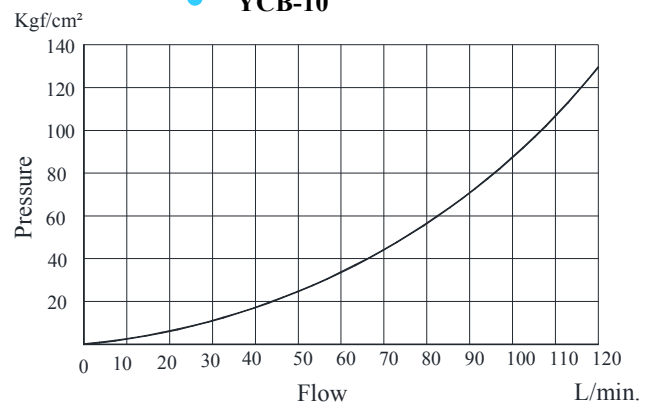


Minimum Adjusting Pressure

● **YCB-06**



● **YCB-10**



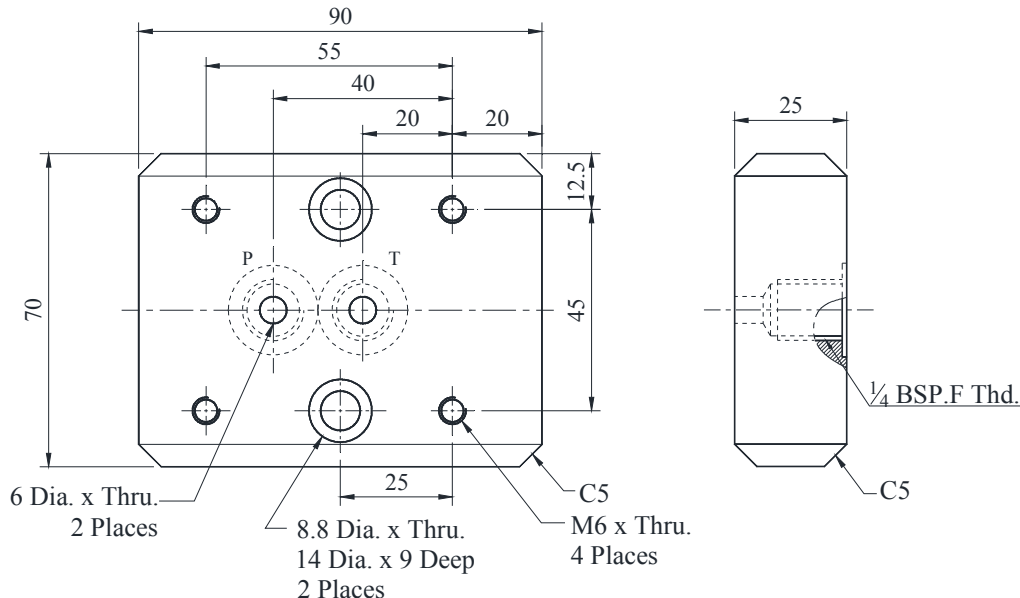
* Curve reflects E-Spring characteristics.

Sub-plate

Valve Model Numbers	Sub-plate Model Numbers	Thread Size	Approx. Mass Kg.
YCB-06-※-G-※-20	YCBM-06-20	1/4 BSP.F	2.5
YCB-10-※-G-※-20	YCBM-10-20	1/2 BSP.F	3.4

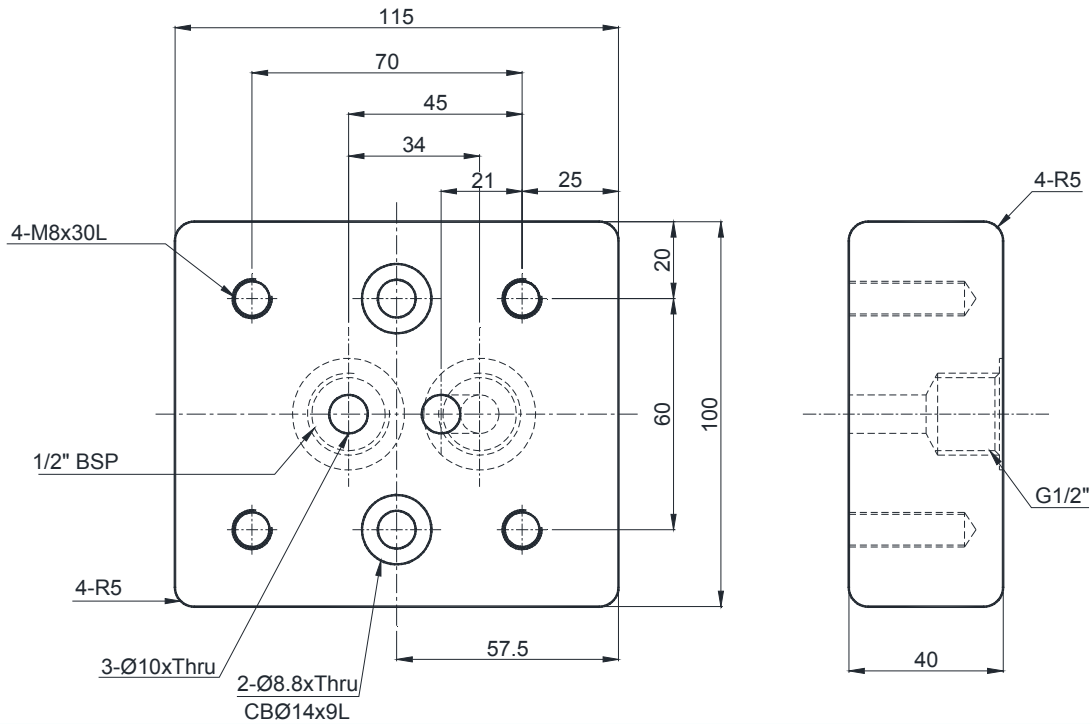
DIMENSIONS IN MILLIMETRES

● **Sub-plate: YCBM-06-20**



• Sub-plate: YCBM-10-20

DIMENSIONS IN MILLIMETRES



■ Spare Parts List

• YCB-06

• List of Seals

Sl. No.	Name of Parts	Parts Number	Quantity		
			YCB-06	YCB-06-T	YCB-06-G
1	O-Ring	VKH4-1493-0	1		1
2	O-Ring	VKH4-1512-0	1		1
3	O-Ring	SO-NA-P10	1		1
4	Back-Up Ring	SO-BB-P10	1		1
5	O-Ring	VKH4-1507-0	-		2
6	O-Ring	VKH4-1524-0	1		1

Note : When ordering the seals, please specify the seal kit number from the table above.

• YCB-10

Sl. No.	Name of Parts	Parts Number	Quantity		
			YCB-10-	YCB-10-T	YCB-10-G
1	O-Ring	VKH4-1474-0	1		1
2	O-Ring	VKH4-1473-0	1		1
3	O-Ring	SO-NA-P10	1		1
4	Back-Up Ring	SO-BB-P10	1		1
5	O-Ring	VKH4-1513-0	-		2
6	O-Ring	VKH4-1524-0	1		1

Note : When ordering the seals, please specify the seal kit number from the table above.

• List of Seal Kits

Model Numbers	Seal Kit Numbers
YCB-06-※-※-20	KS-YCB-06-20
YCB-06-※-T-20	
YCB-06-※-G-20	KS-YCB-06-G-20

Model Numbers	Seal Kit Numbers
YCB-10-※-※-20	KS-YCB-10-20
YCB-10-※-T-20	
YCB-10-※-G-20	KS-YCB-10-G-20