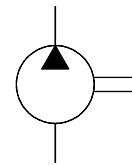


**PG0-Series Gear Pumps**

- High strength aluminum extruded body.
- Hardened and ground integral gear shaft.
- Special aluminum alloy bush bearing.
- Axially balanced for high volumetric efficiency in excess of 95%.
- Viscosity range of fluid medium : 10~300cSt.



Graphic Symbol



**Specifications**

Model Numbers	Geometric Displacement cm <sup>3</sup> /rev.	Maximum Pressure Kgf/cm <sup>2</sup>		Shaft Speed Range r/min.		Mass (Kg) (Approx.)
		Continuous	Intermittent	Max.	Min.	
PG0-100	1.0	200	240	4500	1000	1.5
PG0-160	1.6			4000	800	
PG0-210	2.1					
PG0-320	3.2	180	220	3500	600	1.6
PG0-420	4.2					
PG0-530	5.3					
PG0-640	6.4	160	200			1.7

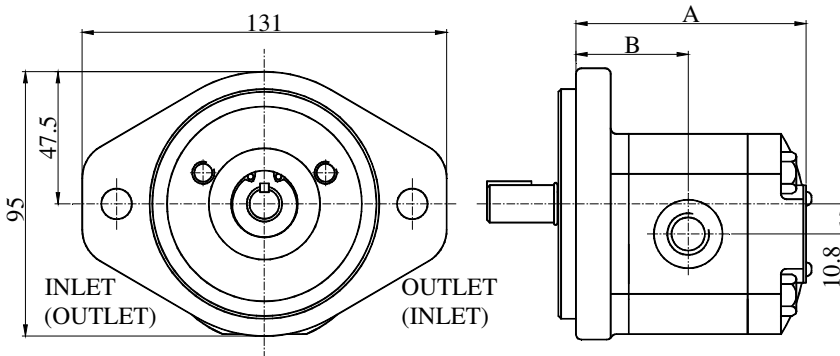
**Model Number Designation**

PG0	-100	-S	-1	-S	-B	-R
Series	Size	Shaft	Mounting	Port	Drive Shaft Seal	Direction of Rotation (Viewed from Shaft End)
PG0	100	<b>S:</b> Straight <b>P:</b> Straight with Snap Ring	<b>1:</b> SAE 'A' 2 Bolt <b>2:</b> SAE 'AA' 2 Bolt	<b>S:</b> SAE Port 'O' Ring Port <b>P:</b> BSPF Port <b>F:</b> Flange	<b>B:</b> Nitrile <b>V:</b> *1 Viton	<b>R:</b> Clockwise <b>L:</b> Counter Clockwise
	160					
	210					
	320					
	420					
	530					
640						

\*1 Consult factory for availability.

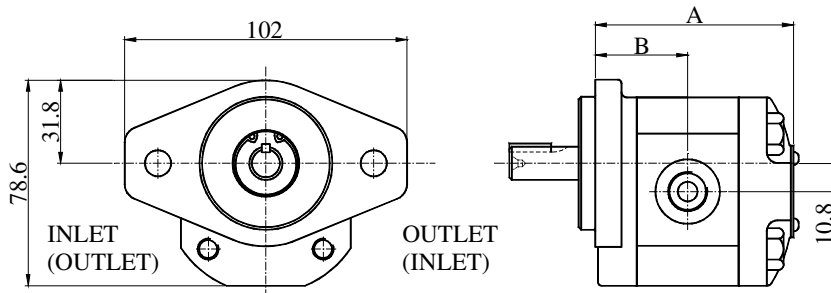
- **General Arrangement**
- **SAE 'A' 2-Bolt**

DIMENSIONS IN  
MILLIMETRES



Model Numbers	A	B
PG0 - 100	71.7	34.9
PG0 - 160	73.4	36.2
PG0 - 210	76.5	37.3
PG0 - 320	80.5	39.3
PG0 - 420	41.2	84.2
PG0 - 530	88.7	43.4
PG0 - 640	93.7	45.9

- **SAE 'AA' 2 Bolt**



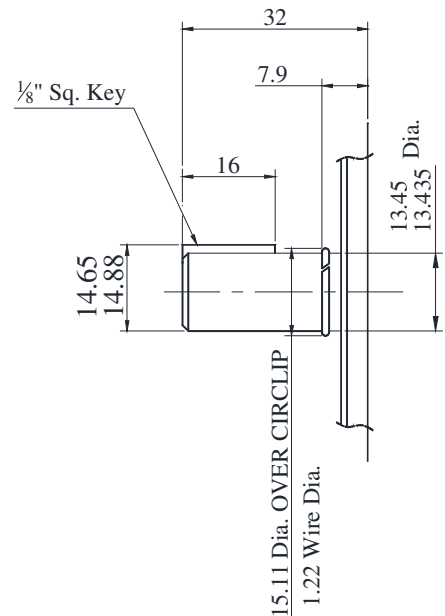
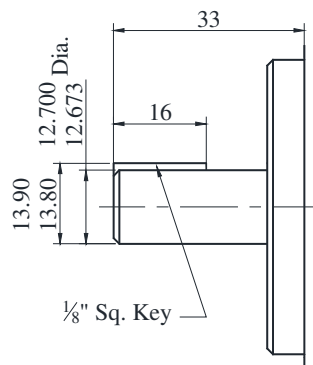
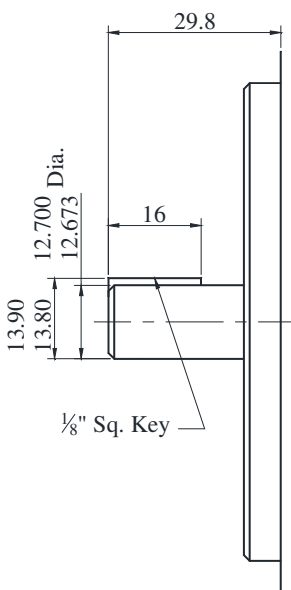
Model Numbers	A	B
PG0 - 100	68.6	31.7
PG0 - 160	71.2	34.0
PG0 - 210	73.2	34.0
PG0 - 320	77.4	36.1
PG0 - 420	81.1	38.0
PG0 - 530	85.6	40.2
PG0 - 640	90.6	42.7

● **Shaft Details**

**S: Straight**  
(SAE 'A' 2 Bolt)

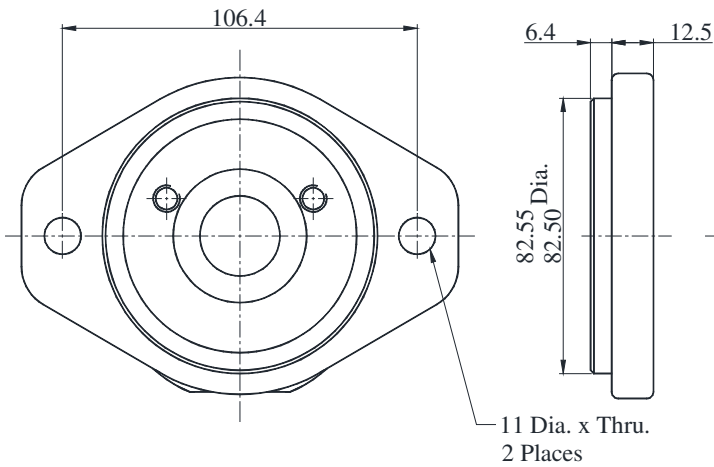
**S: Straight**  
(SAE 'AA' 2 Bolt)

**P: Straight with Snap Ring**  
(SAE 'A' 2 Bolt)

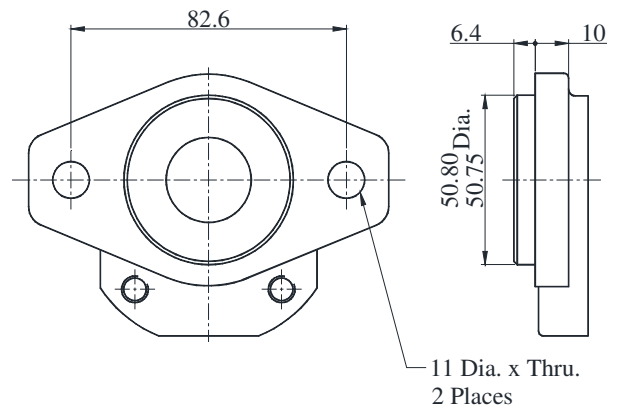


● **Mounting Details**

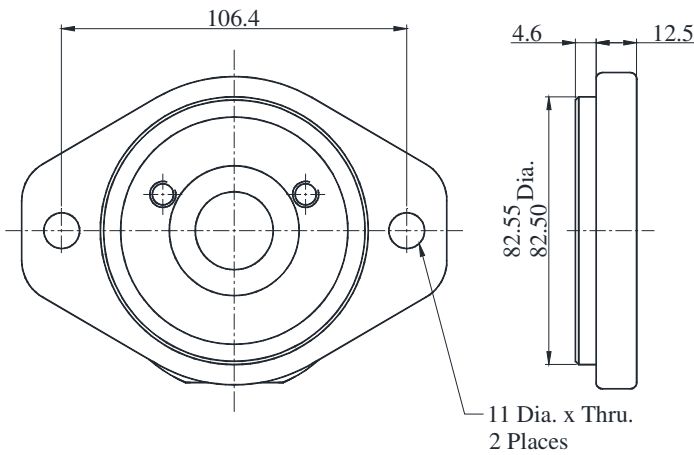
● **SAE 'A' 2 Bolts Flange**



● **SAE 'AA' 2 Bolts Flange**



● **SAE 'A' 2 Bolts Flange (For 'P' Shaft)**



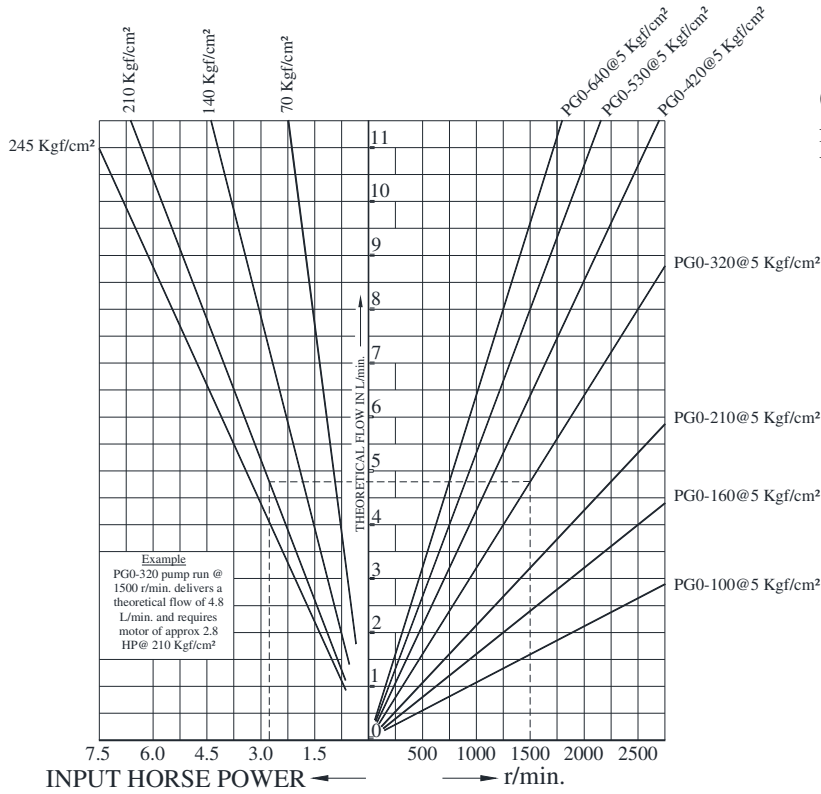
■ **Ports**

Model Numbers	P: BSP.F Ports		S: SAE O-Ring Ports	
	Inlet	Outlet	Inlet	Outlet
PG0-100	3/8"	3/8"	9/16"-18	9/16"-18
PG0-160	3/8"	3/8"	9/16"-18	9/16"-18
PG0-210	3/8"	3/8"	3/4"-16	3/4"-16
PG0-320	3/8"	3/8"	3/4"-16	3/4"-16
PG0-420	1/2"	1/2"	3/4"-16	3/4"-16
PG0-530	1/2"	1/2"	7/8"-14	7/8"-14
PG0-640	1/2"	1/2"	7/8"-14	7/8"-14

**Seals**

B: Nitrile (Temp. range:- 15°C + 80°C)  
 V: Viton (Temp. range:- 10°C + 140°C)

**Performance Characteristics**



(Performance data shown are for representative pumps with mineral oil VG 46 of viscosity 40~50cSt @ 40°C)

**Spare Parts List**

**List of Seals**

Sl No.	Name of Parts	Part Numbers		Qty.
		Nitrile	Viton	
1	Body End Seal	A200 01 11	A200 01 18	2
2	Oil Seal	A200 01 13	A200 01 23	1

Note: When ordering the seals, please specify the seal kit number  
 KS-PG0-B for Nitrile  
 KS-PG0-V for Viton