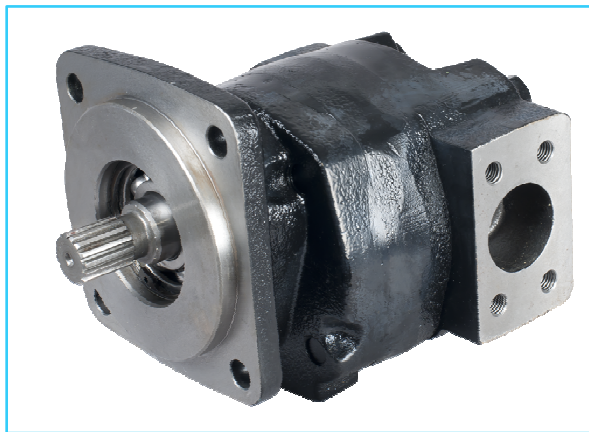
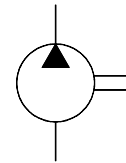


■ PG3-Series Gear Pumps



Graphic Symbol



■ Specifications

Model Number	Geometric Displacement	Flow Rate at 1500 rev/min.	Max. Pressure Kgf/cm ²			Shaft Speed range (r/min.)		Approx. Weight
	cm ³ /rev	L/min.	P1 Cont.	P2 Int.	P3 Peak	Min.	Max.	Kg.
PG3-330	33.0	49.5	210	235	250	250	3000	18.5
PG3-370	37.0	55.5	210	235	250	250	3000	20.0
PG3-400	40.0	60.0	210	235	250	250	2750	22.5
PG3-440	44.0	66.0	210	235	250	250	2500	24.0
PG3-525	52.5	79.0	210	235	250	250	2500	26.5

■ Model Number Designation

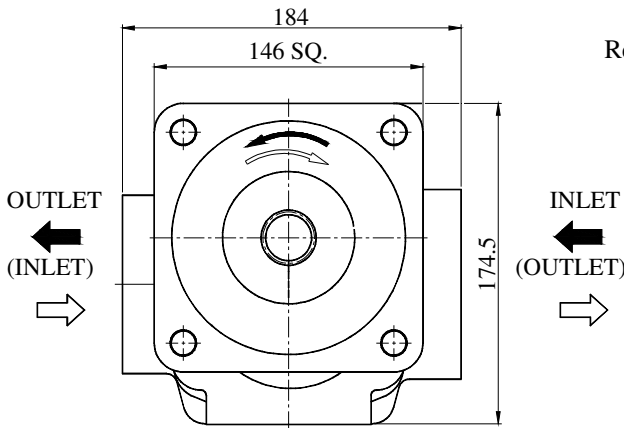
PG3	-330	-U2	-3	-F	-V	-R	-10	90
Series	Size	Shaft	Mounting	Port	Driven Shaft Seal	Direction of Rotation (Viewed from Shaft End)	Design Number	Design Std.
PG3	330	U1: 17 Teeth Spline	3: SAE 'C' 4 Bolt	F: Suction port Flange Type Delivery port Flange Type	V: Viton	R: Clockwise L: Counter Clockwise	10	90
	370							
	400							
	440	U2: SAE 'B-B' Spline						
	525	S: SAE 'B-B' Parallel						

* Threaded ports are available. Consult factory for details.

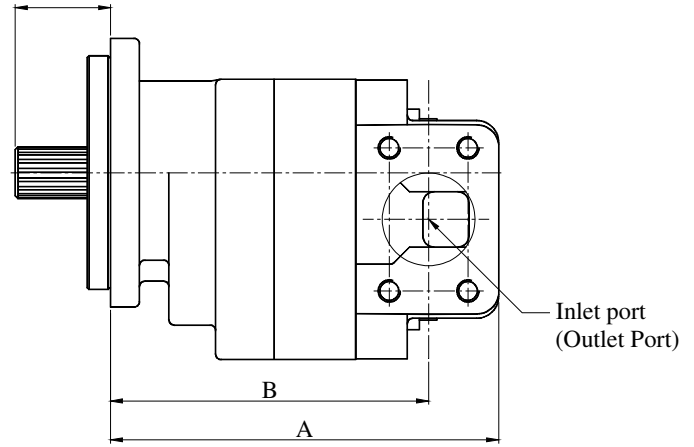
● PG3-※-※-3-F-※-※-1090

General Arrangement

SAE-C 4 Bolt Mounting:



Refer shaft details

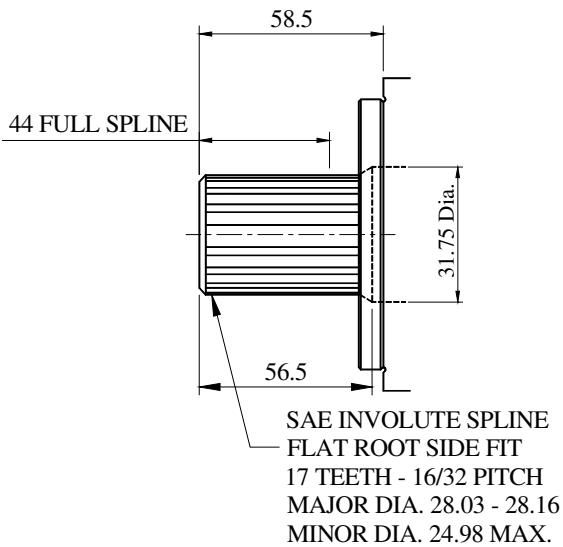


Model number	A	B
PG3-330-※-3-F-※-※-1090	184.0	147.7
PG3-370-※-3-F-※-※-1090	186.8	150.5
PG3-400-※-3-F-※-※-1090	189.0	152.7
PG3-440-※-3-F-※-※-1090	191.7	155.4
PG3-525-※-3-F-※-※-1090	197.6	161.4

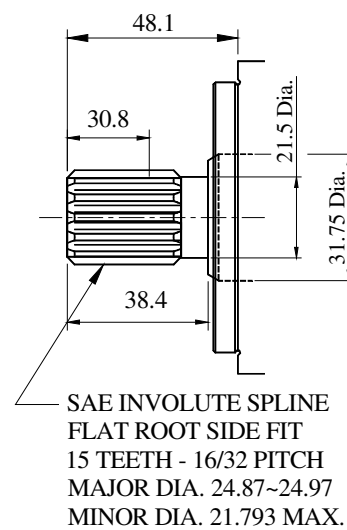
DIMENSIONS IN MILLIMETRES

■ Shaft

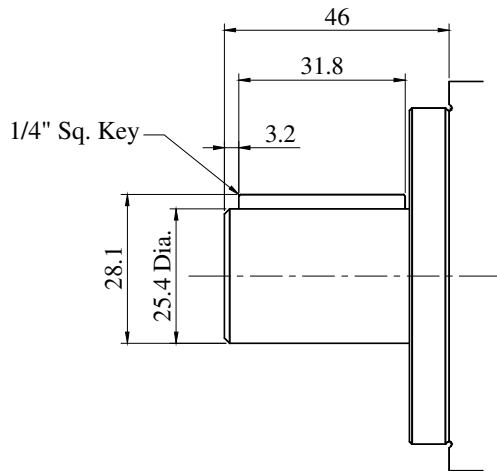
● Spline Shaft: U1



● Spline Shaft: U2



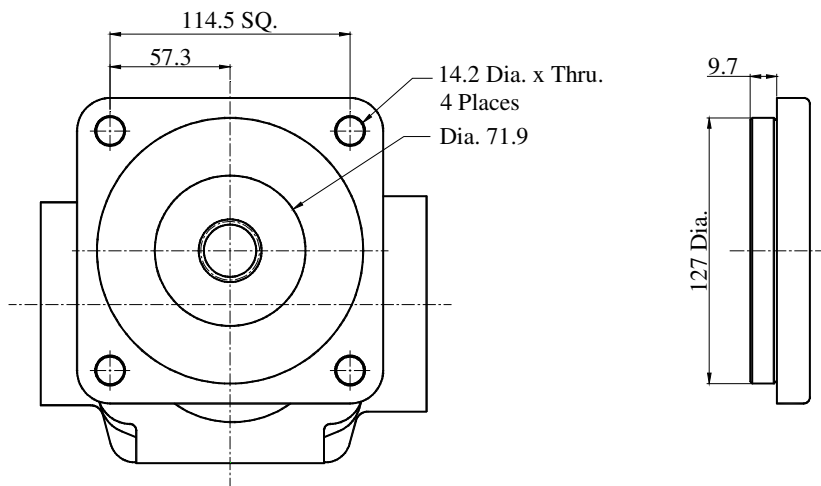
- Straight shaft: SAE "B-B" Parallel



■ Flange

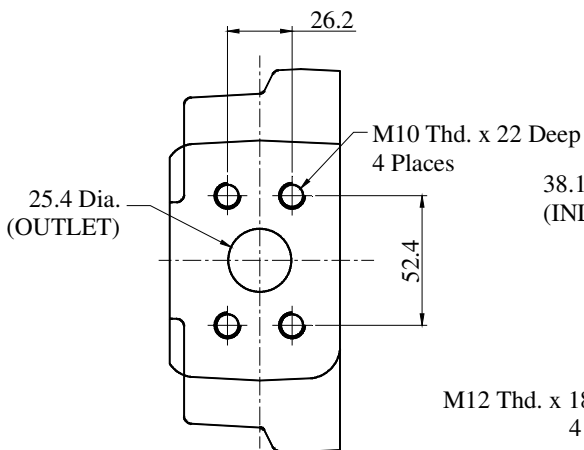
- SAE 'C'-4 Bolt Flange

DIMENSIONS IN MILLIMETRES

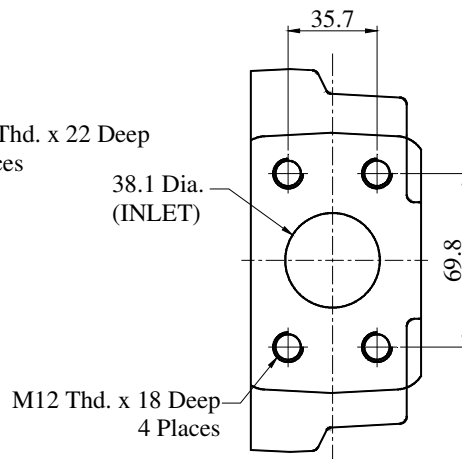


■ Ports

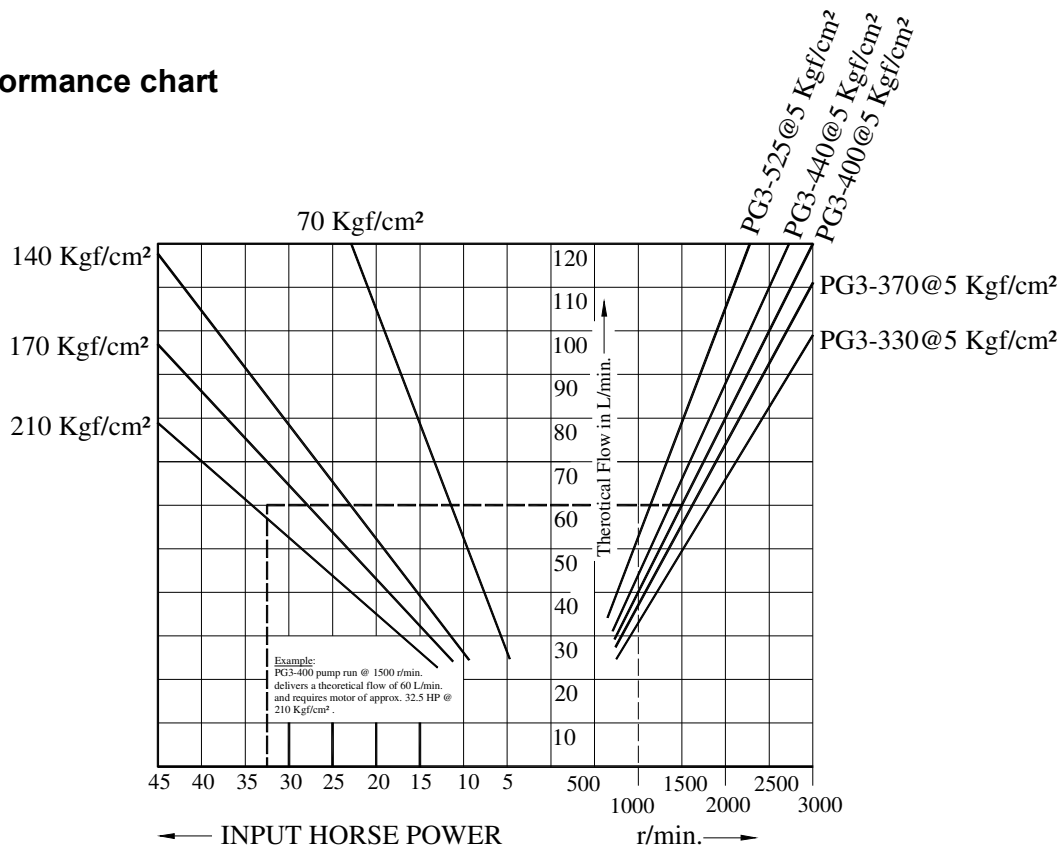
- Delivery Port



- Suction Port



■ Performance chart



Note : For performance beyond the indicated range please consult factory

■ Spare Parts List

● List of Seals

Sl. No.	Name of Parts	Part Numbers		Qty.
		Nitrile	Viton	
1	Body End Seal	PG3 01 21	PG2 01 21	2
2	Oil Seal	PG3 01 20	PG2 01 31	1

Note: When ordering the seals, please specify the seal kit number

KS-PG3S-B for Nitrile

KS-PG3S-V for Viton

Nitrile (Temp. range: -60° F+175° F), Viton (Temp.range: -50°F+285° F).

